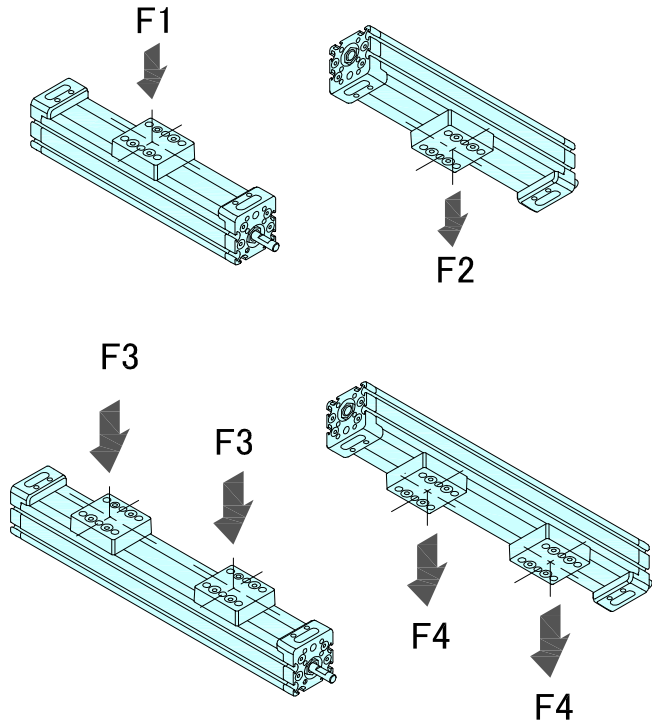


MECHANICAL LINEAR ACTUATORS INSTRUCTIONS

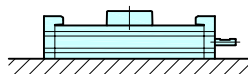
Thank you very much for purchasing our product.
Please keep this INSTRUCTIONS for your safe use.

Allowable Load

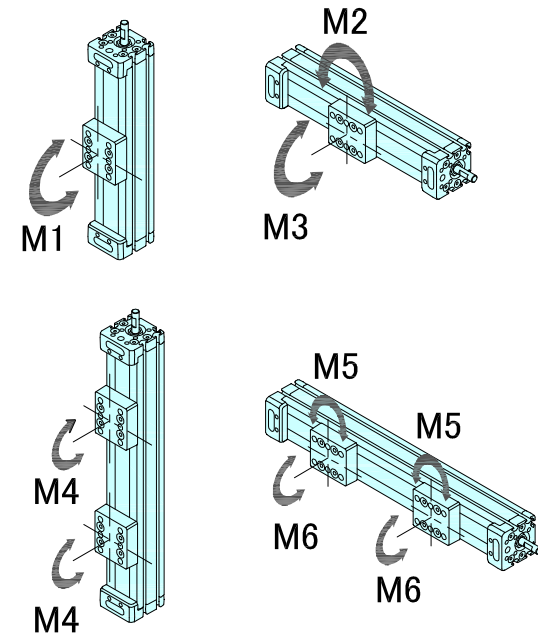


Type	F1 (N)	F2 (N)	F3 (N)	F4 (N)
MAU3222*S	30	15	—	—
MAU5040*S MAG5040*S	600	300	—	—
MAU5040*W MAG5040*W	—	—	300	150

Note: The values above are for Actuators placed on a flat surface.

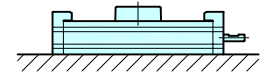


Allowable Moment



Type	M1 (N·m)	M2 (N·m)	M3 (N·m)	M4 (N·m)	M5 (N·m)	M6 (N·m)
MAU3222*S	0.3	0.2	0.3	—	—	—
MAU5040*S MAG5040*S	9	8	10	—	—	—
MAU5040*W MAG5040*W	—	—	—	4.5	4	5

Note: The values above are for Actuators placed on a flat surface.



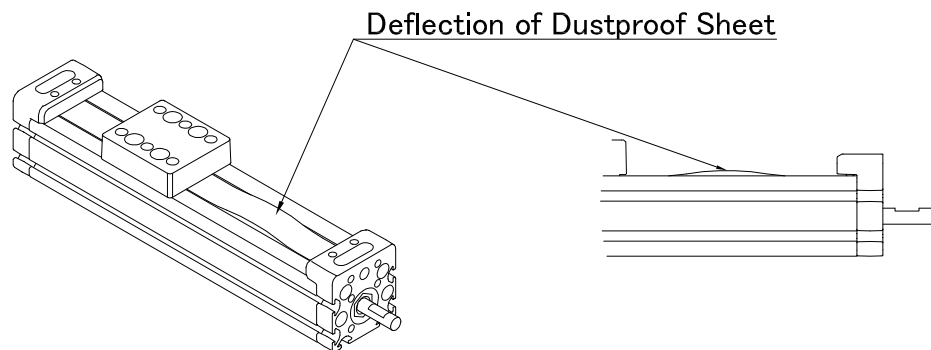
Allowable Rotation Speed

Allowable Rotation Speed when Actuators are operated automatically
 MAU3222** : The allowable rotation speed must be within 150min^{-1} .
 MAU5040** and MAG5040** : The allowable rotation speed must be within 250min^{-1} .

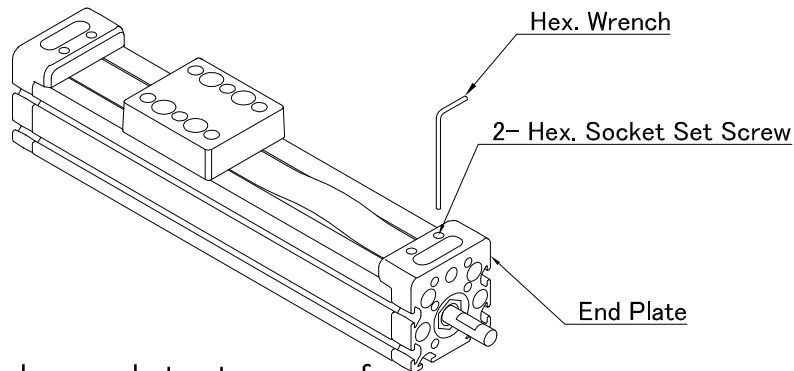
How to Adjust the Dustproof Sheet

If the Dustproof Sheet deflects while using, please adjust it as follows

! CAUTION ! The Dustproof Sheet is very thin. Be careful not to cut your finger on the edge while adjusting.



- ① Loosen the hex. socket set screw (2 pcs) of the top face of End Plate with the hex. wrench. (Refer to the Chart 1 for the across flats.)

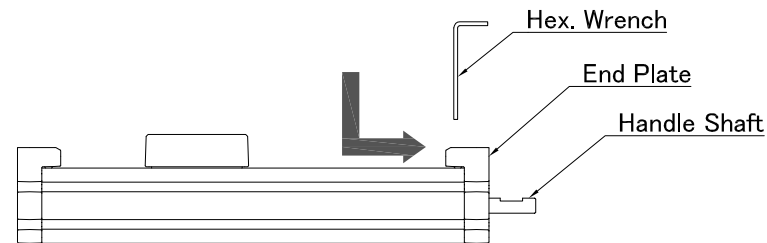


! CAUTION !
 Do not loosen the hex. socket set screws of End Plate on the opposite side.

<Chart 1>

Type	Across Flats of the Hex. Wrench (mm)
MAU3222**	1.5
MAU5040**	2
MAG5040**	2

- ② Tighten the hex. socket set screws pushing the Dustproof Sheet to the End Plate side. (Refer to the Chart 2 for the recommended tightening torque.)

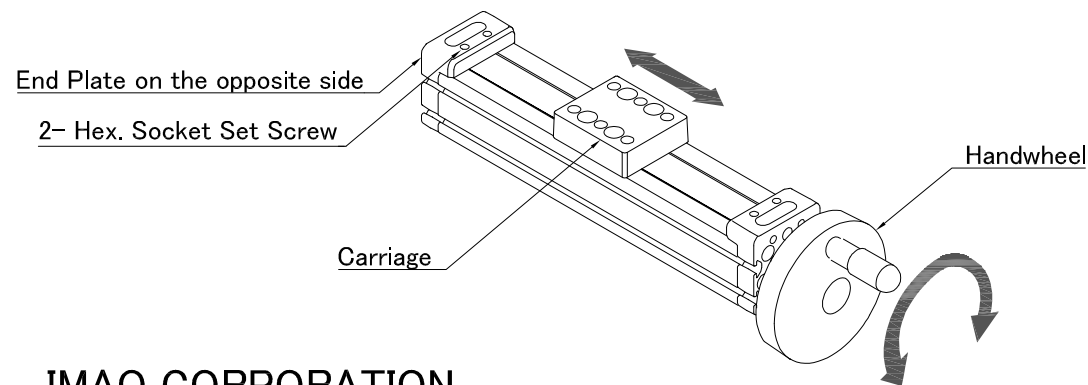


<Chart 2>

Type	Recommended Tightening Torque (N·m)
MAU3222**	0.3 *)
MAU5040**	0.8
MAG5040**	0.8

*) The insert of MAU3222** may lift from the end plate if the screw is tightened exceeding the recommended tightening torque.

- ③ Check the Dustproof Sheet does not deflect by turning the Handwheel (Handle Shaft) and moving the Carriage back and forth.
- ④ If the Dustproof Sheet still deflects, try steps ① - ③ with the End Plate of the opposite side.



IMAO CORPORATION

[CONTACT US]

Export Sales Team

<https://www.imao.com/en/contact-us/>